

Cellist Chair

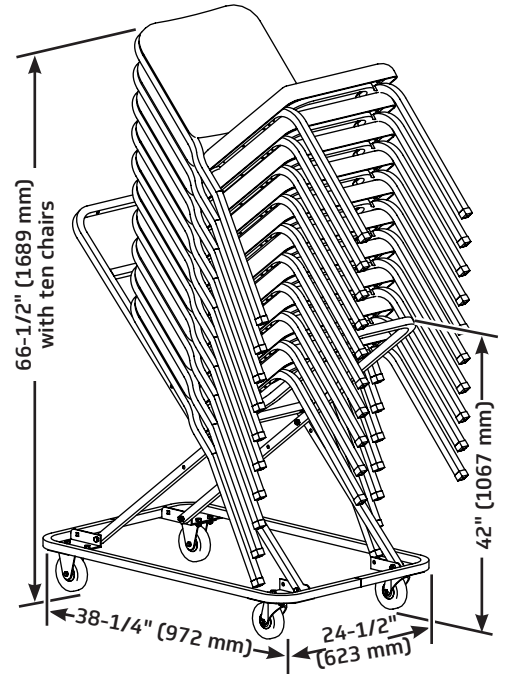
- 0940000 18 lb (8.2 kg)
- Seat and back are covered with black polyester fabric
- Black powder-coat paint finish frame for maximum durability; Chrome finish frame is also available
- Seat is rugged ABS material with 2" (51 mm) polyfoam cushioning; Back has 1-3/4" (44 mm) polyfoam back cushioning over 5/16" (8 mm) wood
- Fabric is treated with BLOCKaide™ stain repellent
- Seat is tilted forward 1.3° to provide the ideal lean and balance requirements of a cellist
- Forward-positioned back stabilizes and supports the cellist posture
- 16-gauge 7/8" (22 mm) square tube frame, designed and welded to give support around entire outer edge of both seat and back
- Available in standard heights of 18-1/2" (470 mm) and 19-1/2" (495 mm)
- Stacks for compact storage, up to ten chairs on a cart; eight without a cart
- Durable, specially designed floor glides provide stability when seated and ease of movement when arranging chairs
- California Technical Bulletin 117 compliant
- Ten-year warranty

Move 'N Store Cart

- 127A261 30 lb (14 kg)
- Stack, move and store up to ten Cellist chairs
- 16-gauge steel construction with easy-roll casters

Dust Cover

- 054D500
- Vinyl coated polypropylene
- For use with chairs stacked on cart



Move 'N Store Cart

Chair Height	A	B	C	D
18-1/2" (470 mm)	19-1/4" (489 mm)	19-1/4" (489 mm)	19-1/4" (489 mm)	35-9/32" (896 mm)
19-1/2" (495 mm)	20-1/4" (514 mm)	19-5/8" (599 mm)	19-1/4" (489 mm)	36-9/32" (922 mm)

